



Gabe Round 12"

Model
CL485

LED LED 22W, **90 CRI**,
1400 Lumens, Dimmable

Acrylic	Finish	Lamp	CCT
OP	BL	LED	CCT

OP opal
BL black
WH white

CCT Selectable CCT:
2700K, 3000K
or 4000K



Gabe Round 7"

Model
CL482

LED LED 15W, **90 CRI**, 3000K
850 Lumens, Dimmable

Acrylic	Finish	Lamp
OP	WH	LED

OP opal
WH white

Gabe Series Round

Minimalist edge lit LED ceiling luminaires. Minimal projection and a high quality mini-textured frame. High quality optical diffuser (see specs on next page). The entire series is highlighted by a universal mounting system in which the body mounts to virtually any and all electrical boxes. Once body is mounted the face simply snaps into place. Simple, fast and easy mounting. Impressively bright and fully dimmable design. Suitable for Damp Location.

Dimmable with Triac or ELV dimmer.

120V Standard Voltage. Available in 0-10V dimming and 120-277VAC Input Voltage.

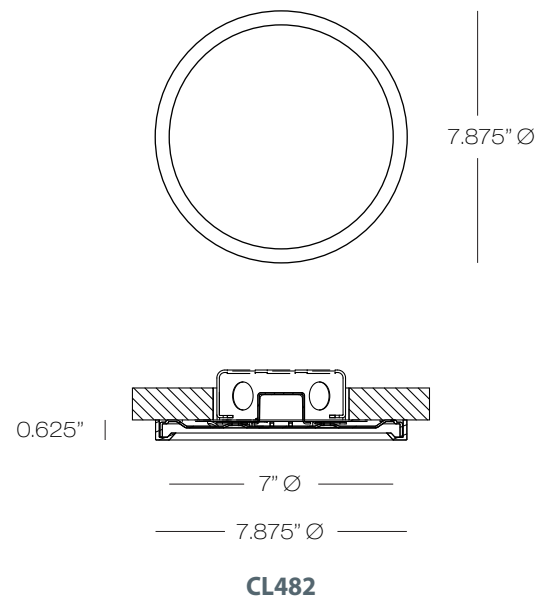
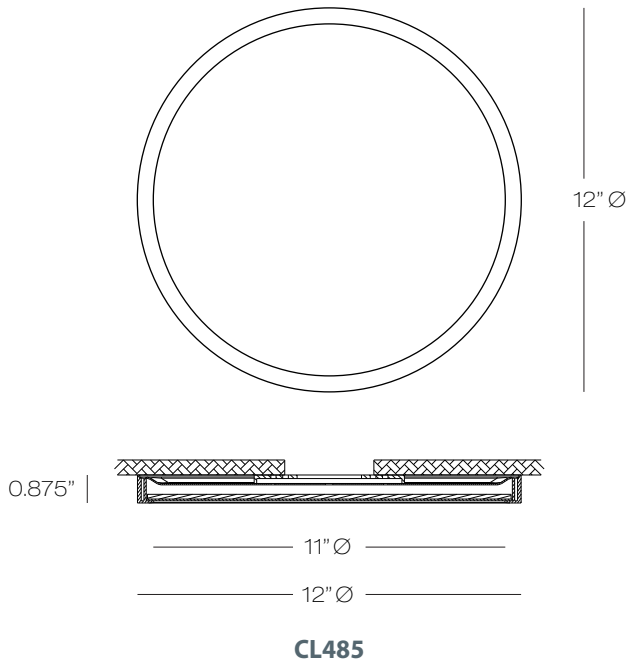


Features

- Glare controlling lens for comfortable light pattern
- 5/8" thick luminaire for durability
- Thinnest available solution featuring an integral driver
- Utilizes high quality Edge-Lit technology providing even illumination
- 5 years / 50,000 hours LED life
- Wet location listed
- An affordable alternative to Air-Seal IC recessed housings or Fire-Rated Boxes
- Energy Star

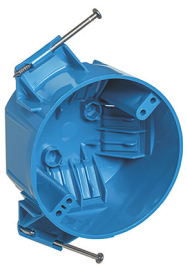
Electrical

- Input Voltage: 120V
- Input Frequency: 50/60 Hz
- Power Factor: >0.9
- Max. THD: <15%
- Minimum Operating Temperature: -20° C
- Dimmable with Triac or ELV dimmer (10%-100% dimming range)
- Available in 90 CRI, consult customer service
- Powered by an integrated DOB (Driver On Board)
- Photometrics available upon request

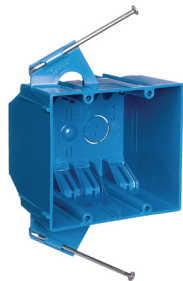


Compatible

Easy to install on standard j-boxes in a snap



3.5" Round (Plastic)



4" Square (Plastic)

Not compatible
with CL480



4" Square (Metal)

Not compatible
with CL480



4" Octagonal (Metal)



4" Shallow J-Box

